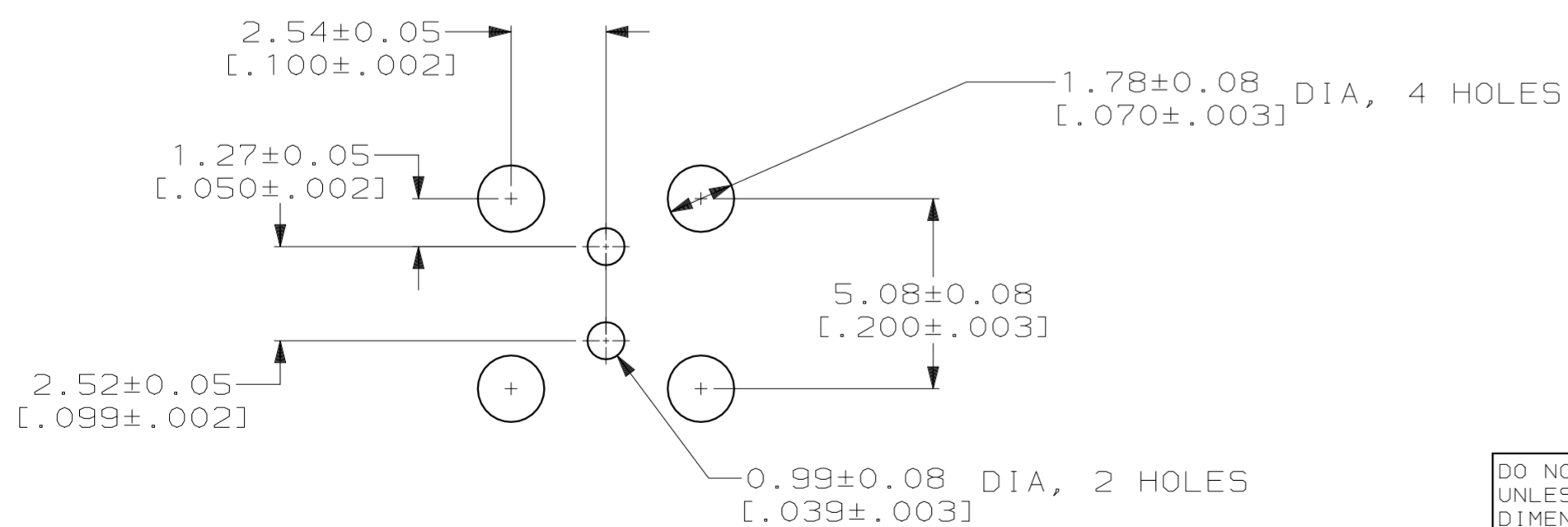
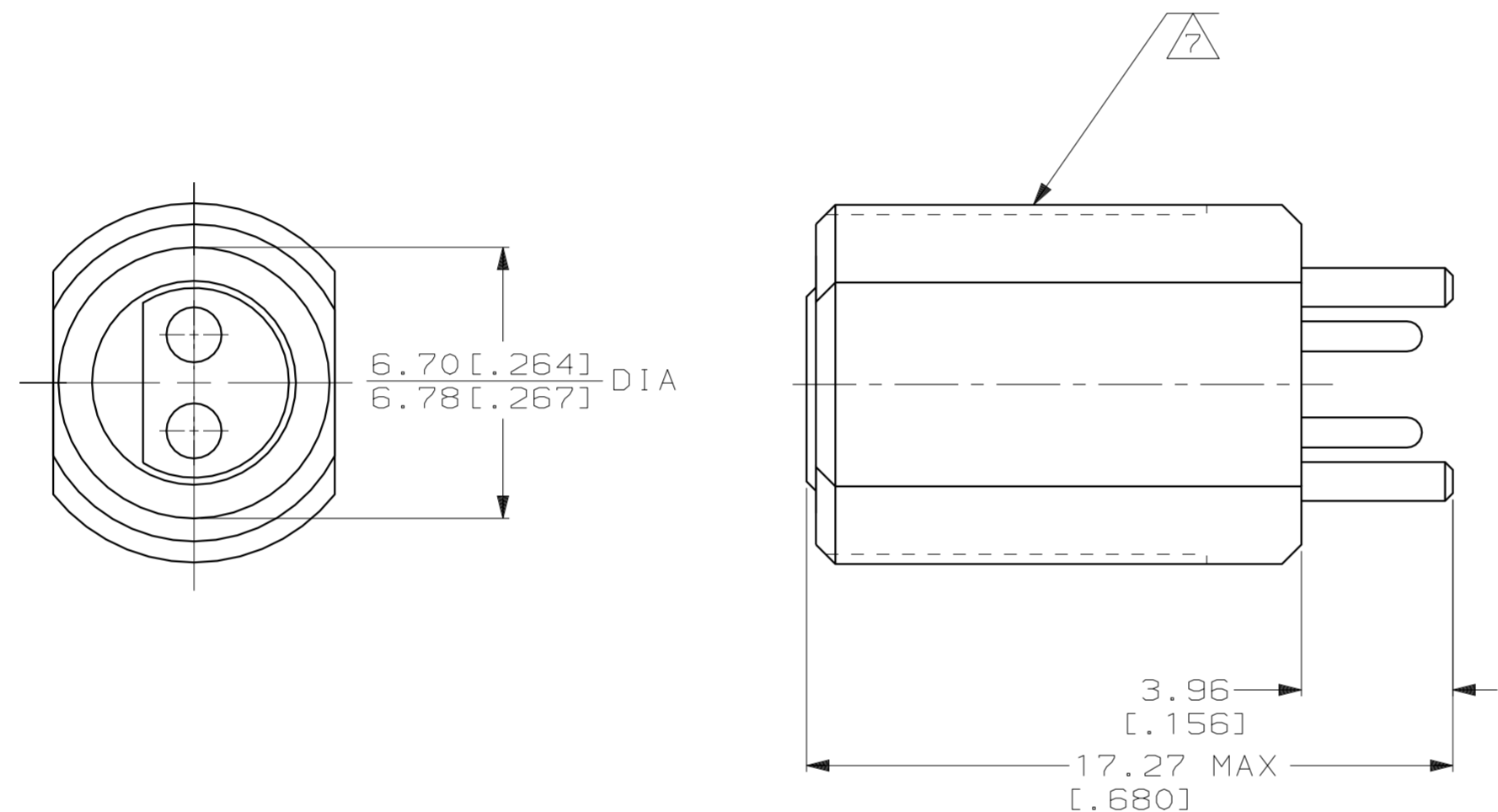


LOC	DIST	P	F	ZONE	LTR	DESCRIPTION	DATE	APPD	
DF	XO				K	REV PER ECO 06-16763	CT	7-24-06	BM

- 1 BRASS PER QQ-B-626
- 2 PTFE PER MIL-P-19468
- 3 NYLON PER MIL-M-20693
- 4 GOLD PLATE PER MIL-G-45204
- 5 NICKEL PLATE PER QQ-N-290
- 6 SILVER PLATE PER QQ-S-365
- 7 3/8-32 UNEF-2A
- 8 RoHS COMPLIANT PART NUMBER.



SUGGESTED PANEL CUTOUT

5-330873-0
330873
PART NO.

DO NOT SCALE PRINT. UNLESS SPECIFIED DIMENSIONS IN mm [INCHES] TOLERANCES ON : 2 PLC DEC ± .20 [.008] 3 PLC DEC ± - ANGLES ± -	DR 01/08/93 J.DAVIS	AMP Incorporated Harrisburg, PA 17105-3608		
	CHK 01/14/93 G.MICHAEL			
MATERIAL 1 2 3	APPD 01/14/93 G.MICHAEL	NAME CONN, COAX, RF, RECPT PCB, TWIN THD'D SERIES		
	APPD 01/14/93 J.DAVIS	PRODUCT SPEC -		
FINISH 4 5 6	APPLICATION SPEC -	SIZE C	CAGE CODE 00779	DRAWING NO C=330873
	WEIGHT .123 OZ	SCALE NTS		SHEET 1 OF 1

THIS DRAWING IS A CONTROLLED DOCUMENT FOR AMP INCORPORATED. IT IS SUBJECT TO CHANGE AND THE CONTROLLING ENGINEERING ORGANIZATION SHOULD BE CONTACTED FOR THE LATEST REVISION.